

**MODIFICATIONS TO**

**FOUGA MAGISTER AIRCRAFT**

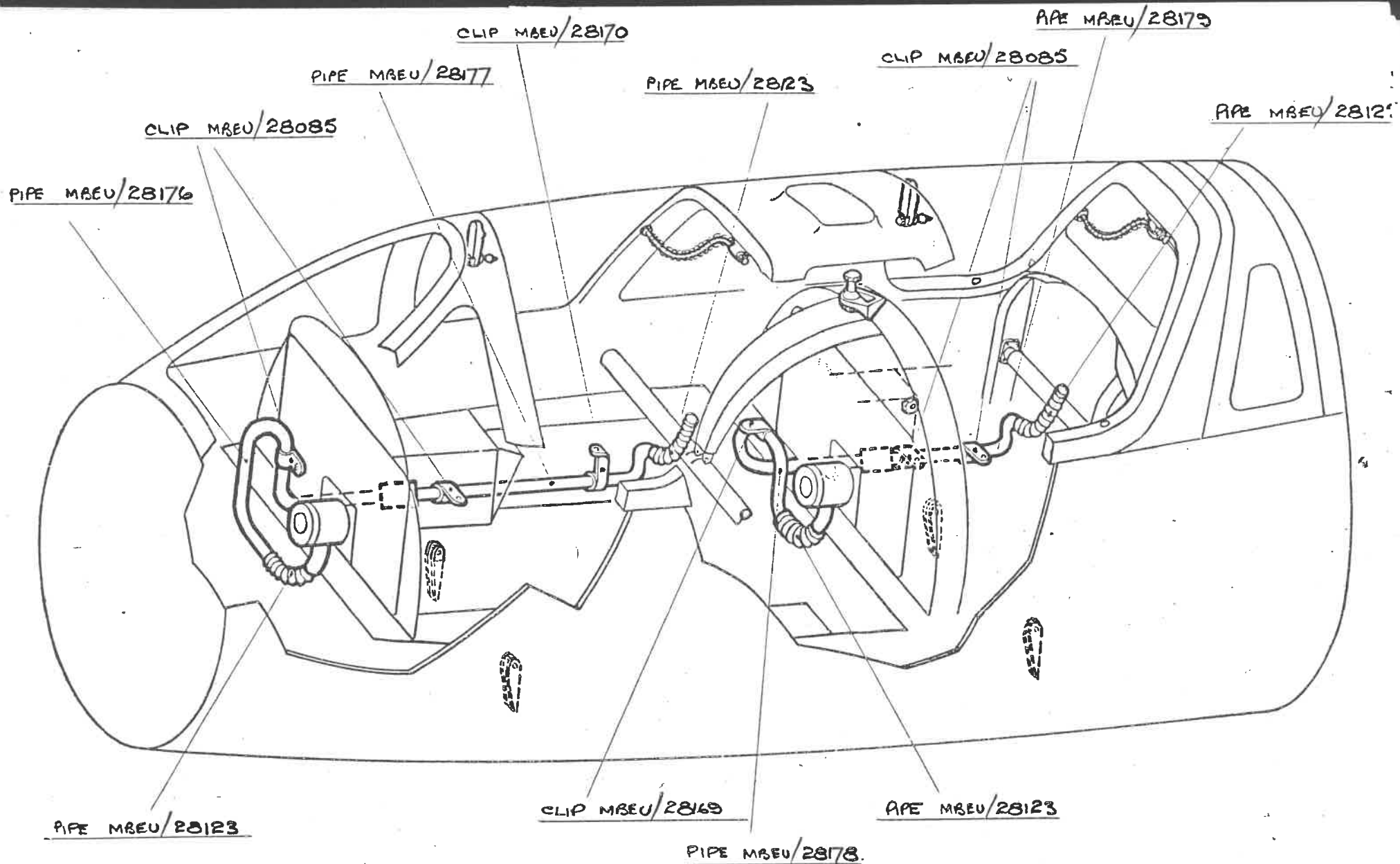
**FOR INSTALLATION OF**

**MARTIN - BAKER**

**Mk. GZ4**

**EJECTION SEATS**

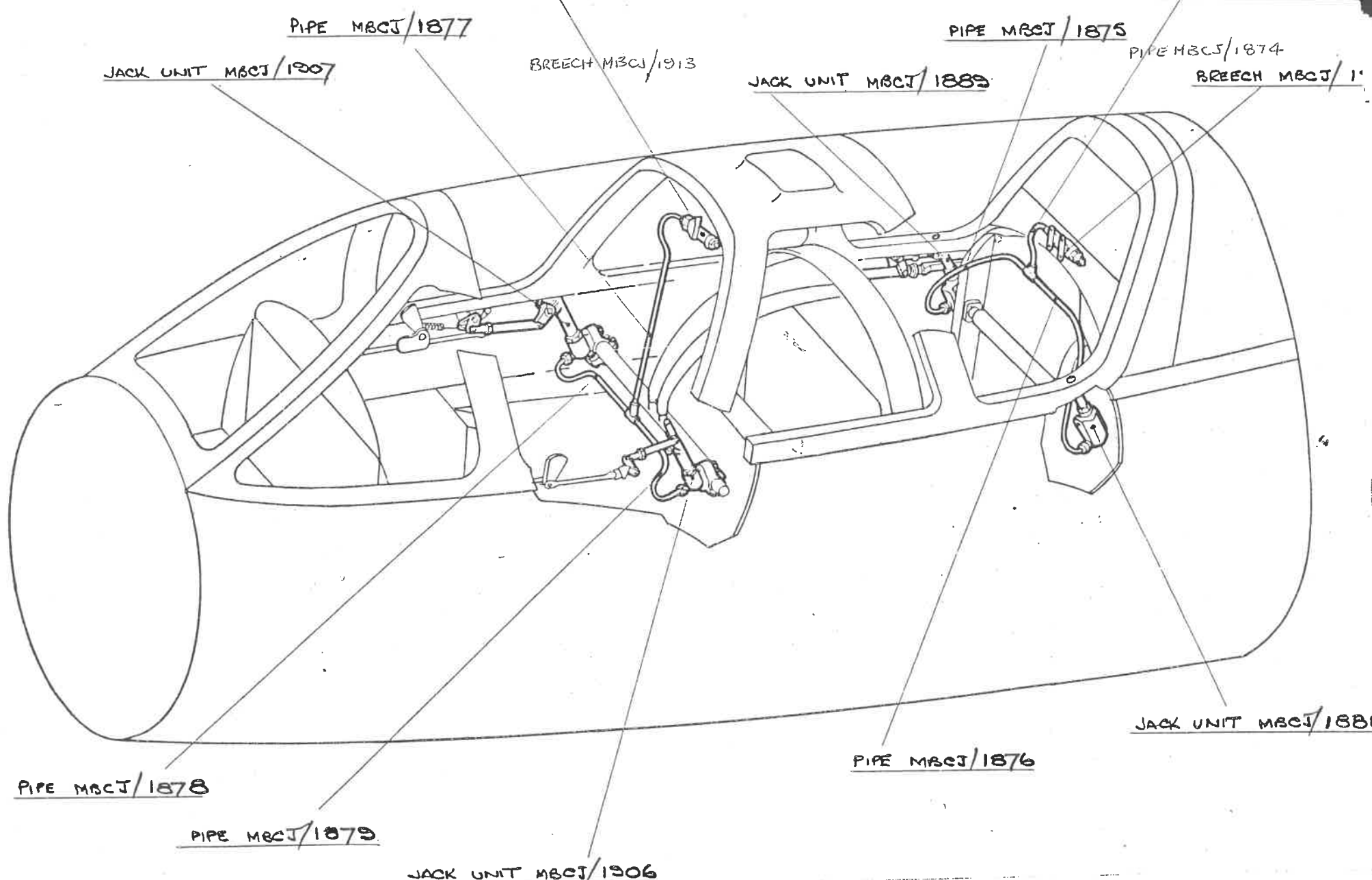
**MB-124**



MODIFICATION TO MAIN  
OXYGEN SYSTEM

FRONT COCKPIT MBEU/28372

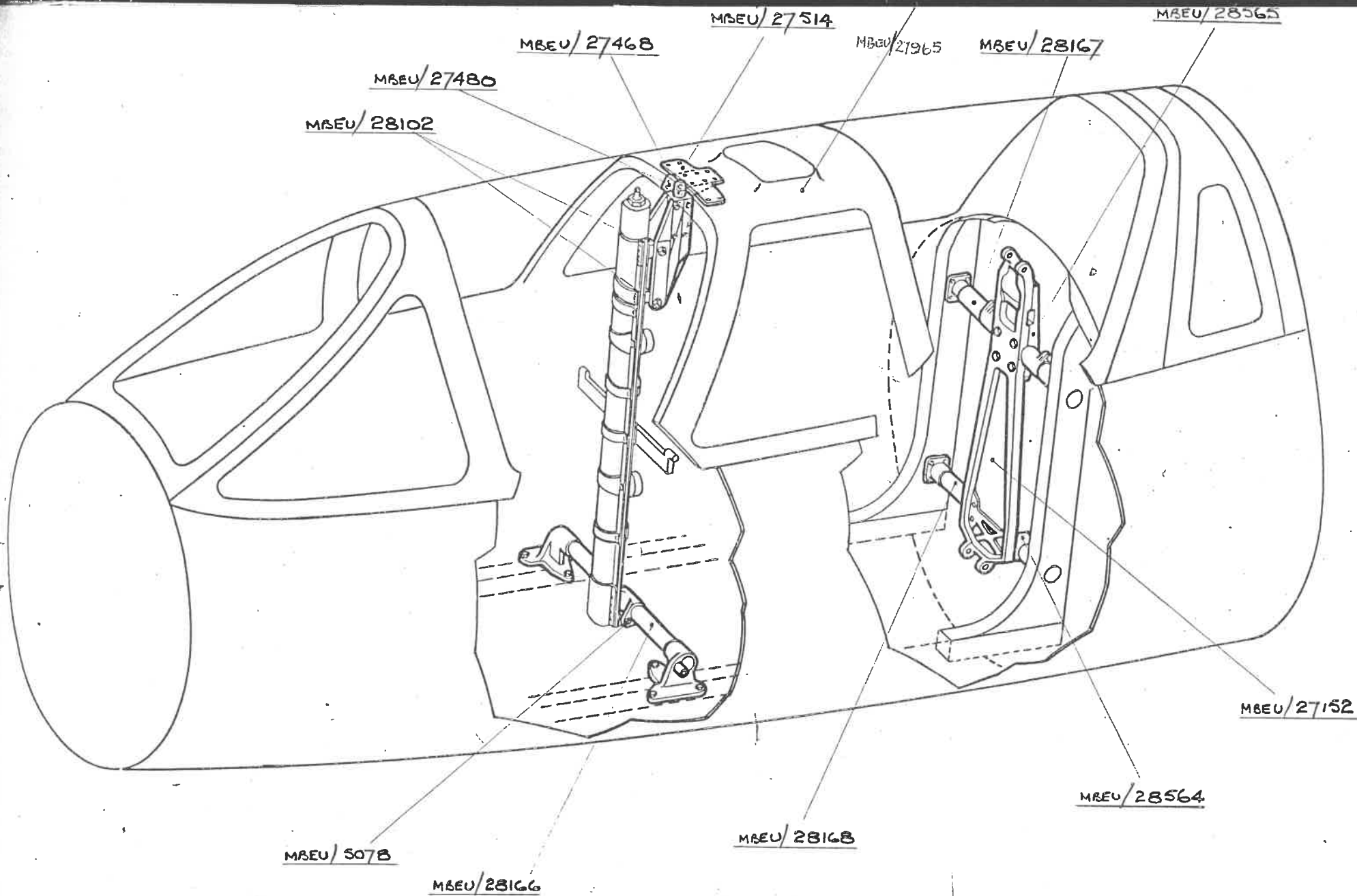
REAR COCKPIT MBEU/2837



FRONT & REAR CANOPY  
JETTISON SYSTEMS

FRONT COCKPIT MBCJ/1942

REAR COCKPIT MBCJ/1943



FRONT, & REAR  
INSTALLATION FTGS.

4-4BA C/S/K BOLTS  
4-4BA STIFFNUTS  
4-4BA WASHERS

EXISTING FOUGA SCREW

JIG DRILL TO DRG.  
No. MBCJ/1904

2-2BA C/S/K BOLTS  
2-2BA STIFFNUTS  
2-2BA WASHERS

5-2BA MUSH H6 BOLTS  
4-2BA STIFFNUTS  
1-HAWKER NUT

1-3/16" DIA SP4 PIN  
1-1/16" DIA SPLIT PIN

ASSY. OF LINK  
MBCJ/1908

REINFORCING CHANNEL UNDER  
SILL MBCJ/1944

1-1/4 B.S.F. STIFFNUT  
1-1/4 B.S.F. WASHER

SPECIAL STUD MBCJ/1838  
SPECIAL NUT MBCJ/1837

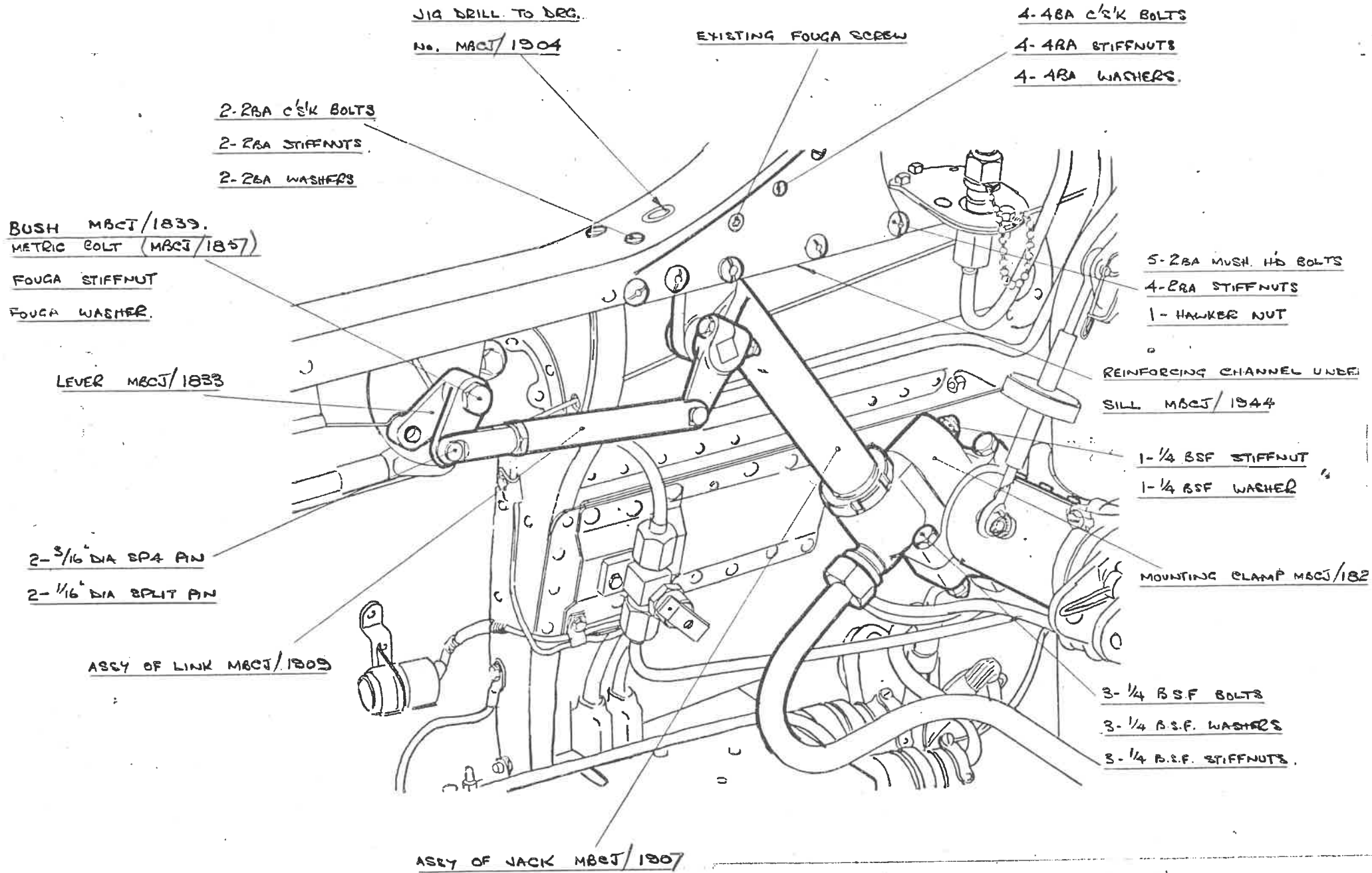
MOUNTING CLAMP MBCJ/1824

1-2BA STIFFNUT  
1-2BA WASHER

3-1/4 B.S.F. BOLTS  
3-1/4 B.S.F. WASHERS  
3-1/4 B.S.F. STIFFNUT

ASSY. OF JACK MBCJ/1906

FRONT COCKPIT  
PORT SIDE



FRONT COCKPIT  
 STARBOARD SIDE

MOUNTING BRACKET MBCJ/1870

4-B-32 UNC C'SK BOLTS

3-B-32 UNC WASHERS

3-B-32 UNC STIFFNUTS

1-B-32 UNC NUT M&E/12140

JIG DRILL BILL TO

DRG. NO MBCJ/1905

LOCATING FITTING

MBCJ/1842

4-48A C'SK BOLTS

4-48A STIFFNUTS

4-48A WASHERS

3/16" DIA SP4 PIN

1/16" DIA SPLIT PIN

FOUGA SCREW

4-48A C'SK BOLTS

4-48A STIFFNUTS

4-48A WASHERS

1/4" DIA SP4 PIN

1/16" DIA SPLIT PIN

4-28A MUSH H&B BOLTS

4-28A STIFFNUTS

4-28A WASHERS

ASSY OF SHAFT MBCJ/1859

3/16" DIA SP4 PIN

1/16" DIA SPLIT PIN

REINFORCING CHANNEL

MBCJ/1849

7-28A BOLTS

7-28A STIFFNUTS

7-28A WASHERS

ASSY OF LINK & LEVER

MBCJ/1946

FOUGA BOLT

FOUGA STIFFNUT

FOUGA WASHER

ASSY OF JACK

MBCJ/1889

1/4 B.S.F. BOLT

1/4 B.S.F. STIFFNUT

1/4 B.S.F. WASHER

4-METRIC BOLTS (MBCJ/1860)

4-METRIC STIFFNUTS

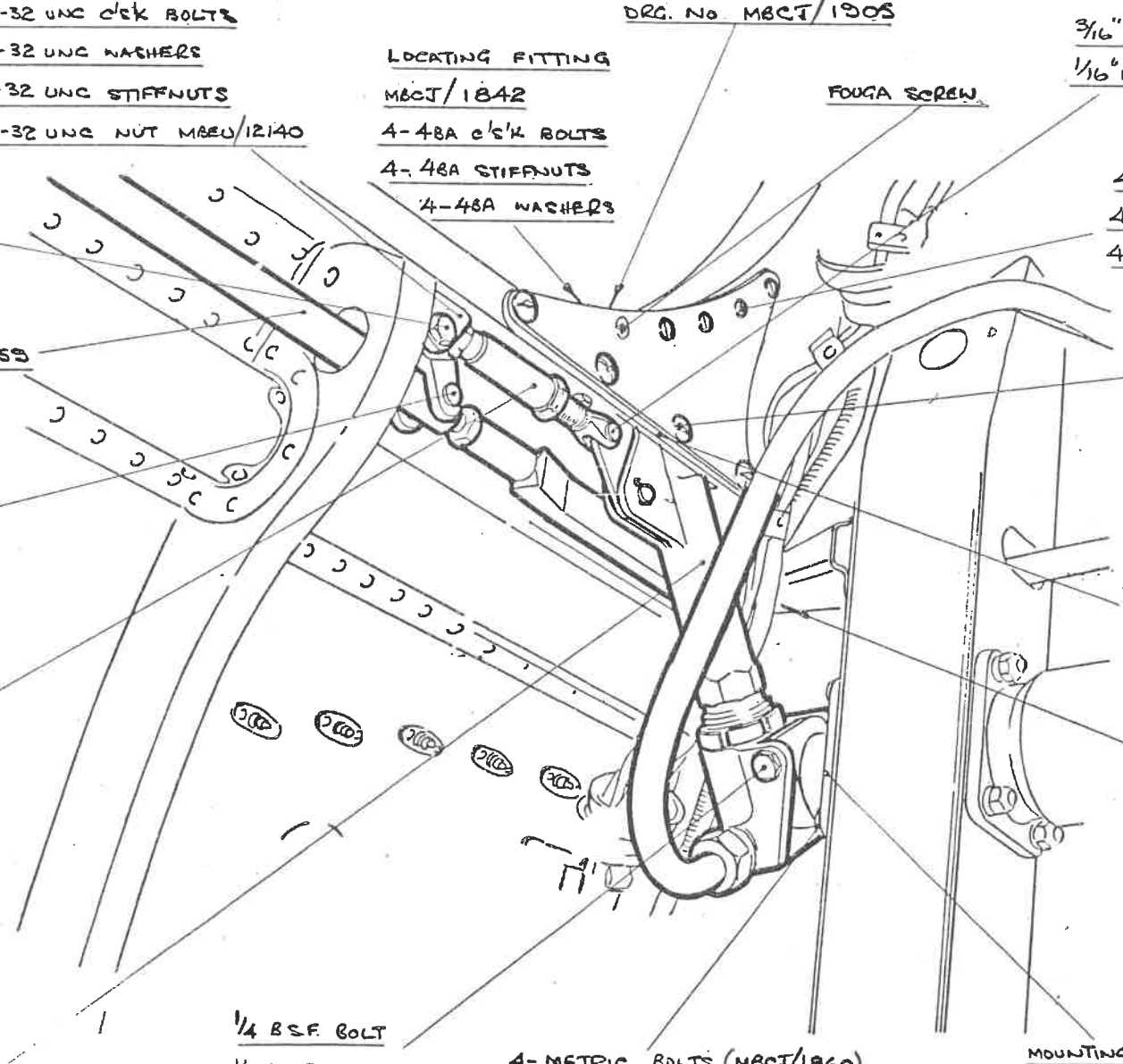
4-WASHERS

MOUNTING FITTING MBCJ/1819

COLLAR MBCJ/1815

REAR COCKPIT

STARBOARD SIDE



3/16" DIA SP4 PIN  
1/16" DIA SPLIT PIN

JIG DRILL BILL TO  
DRG. NO. MRCJ/1905

MOUNTING BRACKET MRCJ/1826

4 - 8-32 UNC C/S/K BOLTS.

3 - 8-32 UNC WASHERS.

3 - 8-32 UNC STIFFNUTS

1 - 8-32 UNC NUT MREU/12140

LOCATING FITTING

MRCJ/1842

4-48A C/S/K BOLTS

4-48A STIFFNUTS

4-48A WASHERS.

FOUGA SCREW

4-48A C/S/K BOLTS

4-48A STIFFNUTS

4-48A WASHERS.

4-28A MUSH HR BOLTS

4-28A STIFFNUTS

4-28A WASHERS.

1/4" DIA SP4 PIN

1/16" DIA SPLIT PIN

ASSY OF SHAFT MRCJ/1859

2- 3/16" DIA SP4 PINS

2- 1/16" DIA SPLIT PINS

LEVER MRCJ/1826

REINFORCING CHANNEL

MRCJ/1848

7-28A BOLTS

7-28A STIFFNUT

7-28A WASHERS.

ASSY OF LINK MRCJ/1861

FOUGA BOLT

FOUGA STIFFNUT

FOUGA WASHER

MOUNTING FITTING MRCJ/1818

COLLAR MRCJ/1815

1/4 B.S.F BOLT

1/4 B.S.F STIFFNUT

1/4 B.S.F WASHER

ASSY OF JACK

MRCJ/1888

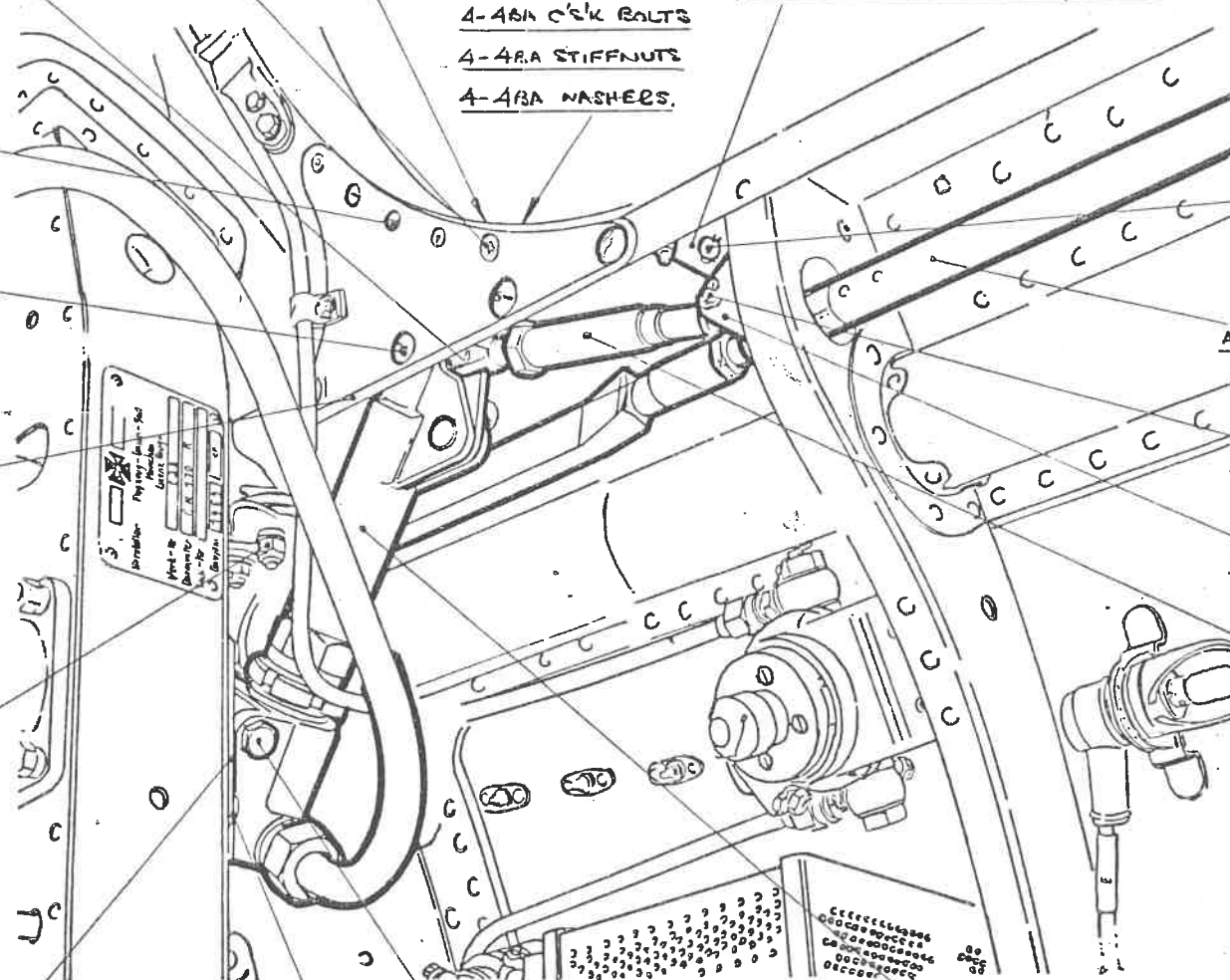
4 - METRIC BOLTS (MRCJ/1860)

4 - METRIC STIFFNUTS

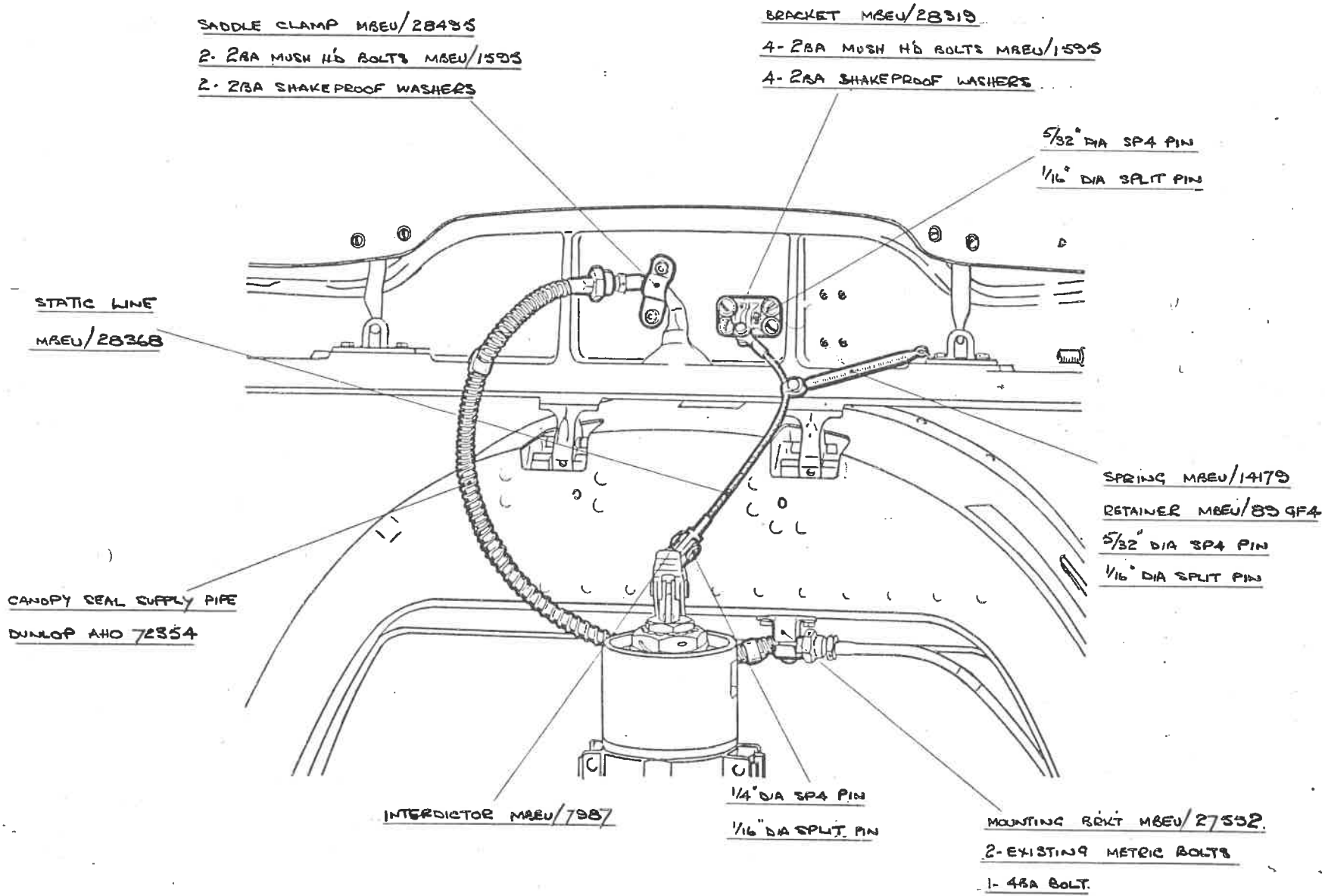
4 - WASHERS

REAR COCKPIT

PORT SIDE







SADDLE CLAMP M8EU/28485  
 2- 2BA MUSH HD BOLTS M8EU/15935  
 2- 2BA SHAKEPROOF WASHERS

BRACKET M8EU/28319  
 4- 2BA MUSH HD BOLTS M8EU/15935  
 4- 2BA SHAKEPROOF WASHERS

5/32" DIA SP4 PIN  
 1/16" DIA SPLIT PIN

STATIC LINE  
 M8EU/28368

CANOPY SEAL SUPPLY PIPE  
 DUNLOP AHO 72354

SPRING M8EU/14179  
 RETAINER M8EU/899F4  
 5/32" DIA SP4 PIN  
 1/16" DIA SPLIT PIN

INTERDICTOR M8EU/7987

1/4" DIA SP4 PIN  
 1/16" DIA SPLIT PIN

MOUNTING BRKT M8EU/27532  
 2- EXISTING METRIC BOLTS  
 1- 4BA BOLT.

INTERDICTOR MECHANISM  
FOR CANOPY JETTISON  
REAR COCKPIT

SADDLE CLAMP MBEU/28495

2-2BA MUSH. HD BOLTS MBEU/1595

2-2BA SHAKEPROOF WASHERS

BRACKET MBEU/28319

4-2BA MUSH HD BOLTS MBEU/1595

4-2BA SHAKEPROOF WASHERS.

5/32" DIA SP4 PIN

1/16" DIA SPLIT PIN

STATIC LINE  
MBEU/28368

.175" WASHER

2-BA MUSH HD BOLT MBEU/1595

2-BA SHAKEPROOF WASHER

CANOPY SEAL SUPPLY PIPE  
DUNLOP AHO 72854.

SPRING MBEU/14179

RETAINER MBEU/89 GFA

5/32" DIA SP4 PIN

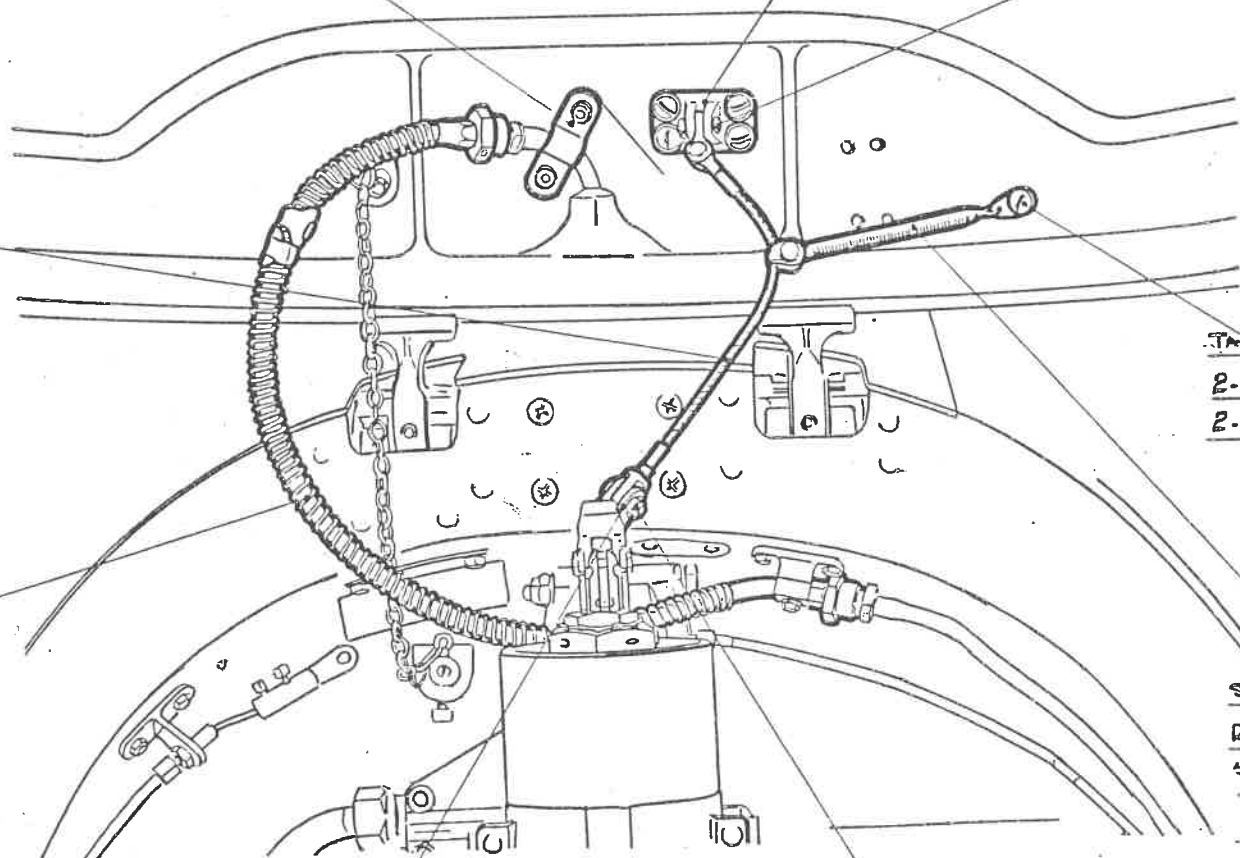
1/16" DIA SPLIT PIN

INTERDICTOR MBEU/7987

1/4" DIA SP4 PIN

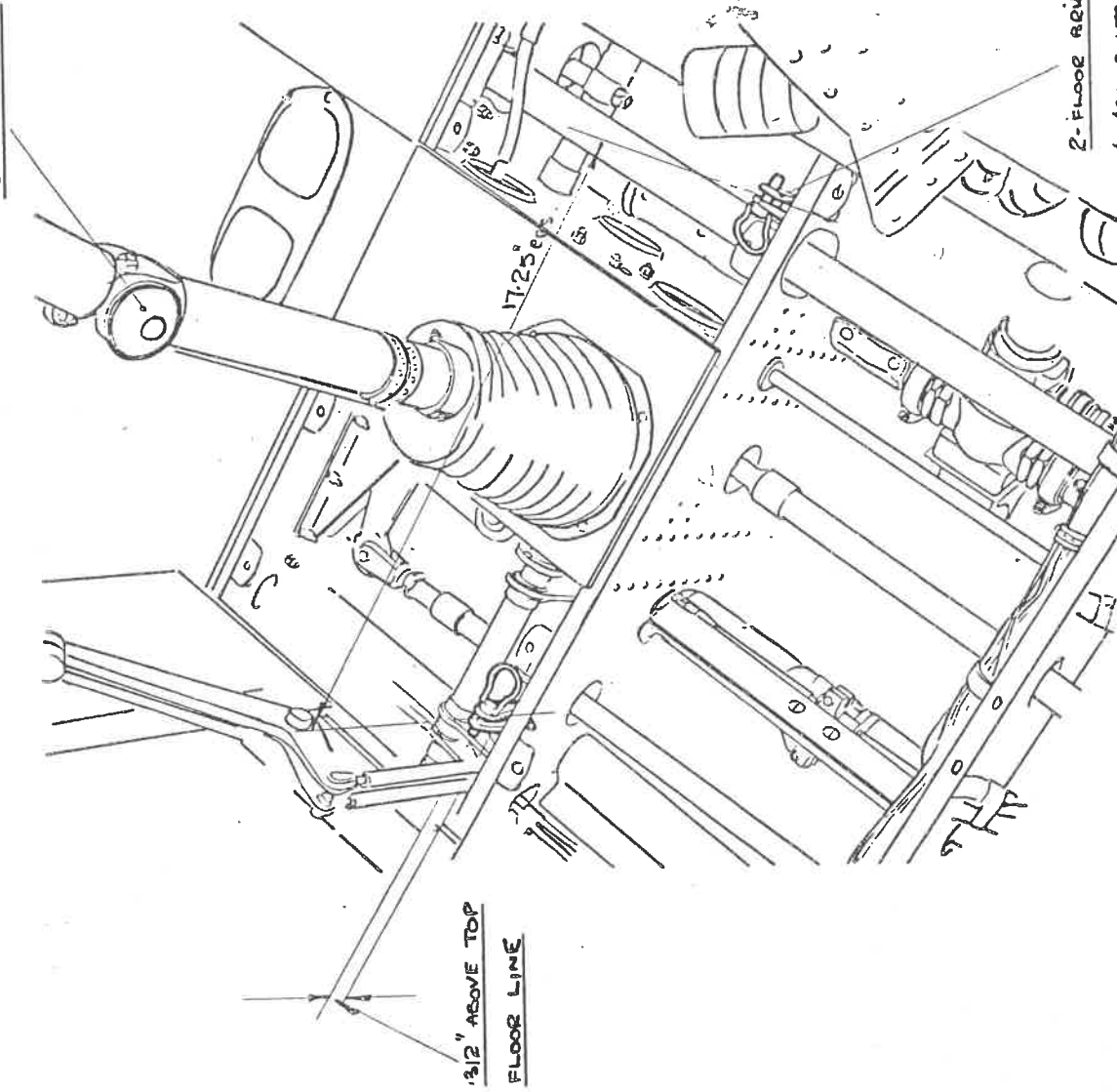
1/16" DIA SPLIT PIN.

INTERDICTOR MECHANISM  
CANOPY JETTISON COCKPIT  
FRONT CONTROL



FAIRING M8EU/28S41

Z8A SET SCREW



1/2" ABOVE TOP  
FLOOR LINE

2-FLOOR BOLTS M8EU/28174

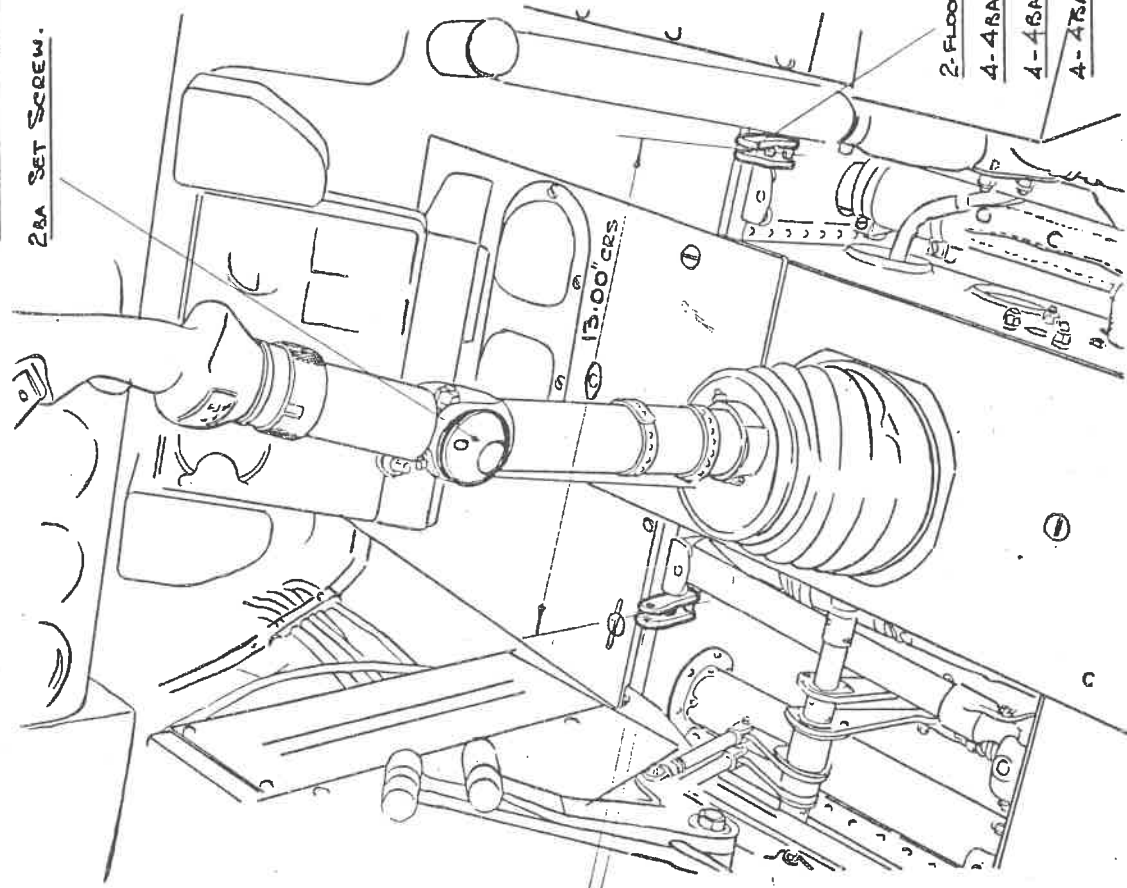
4-4SA BOLTS

4-4SA STIFFNUTS

4-4SA WASHERS

FAIRING M8EV/28341

2BA SET SCREW.



.312" ABOVE TOP  
FLOOR LINE.

2-FLOOR BRACKETS M8EV/28174

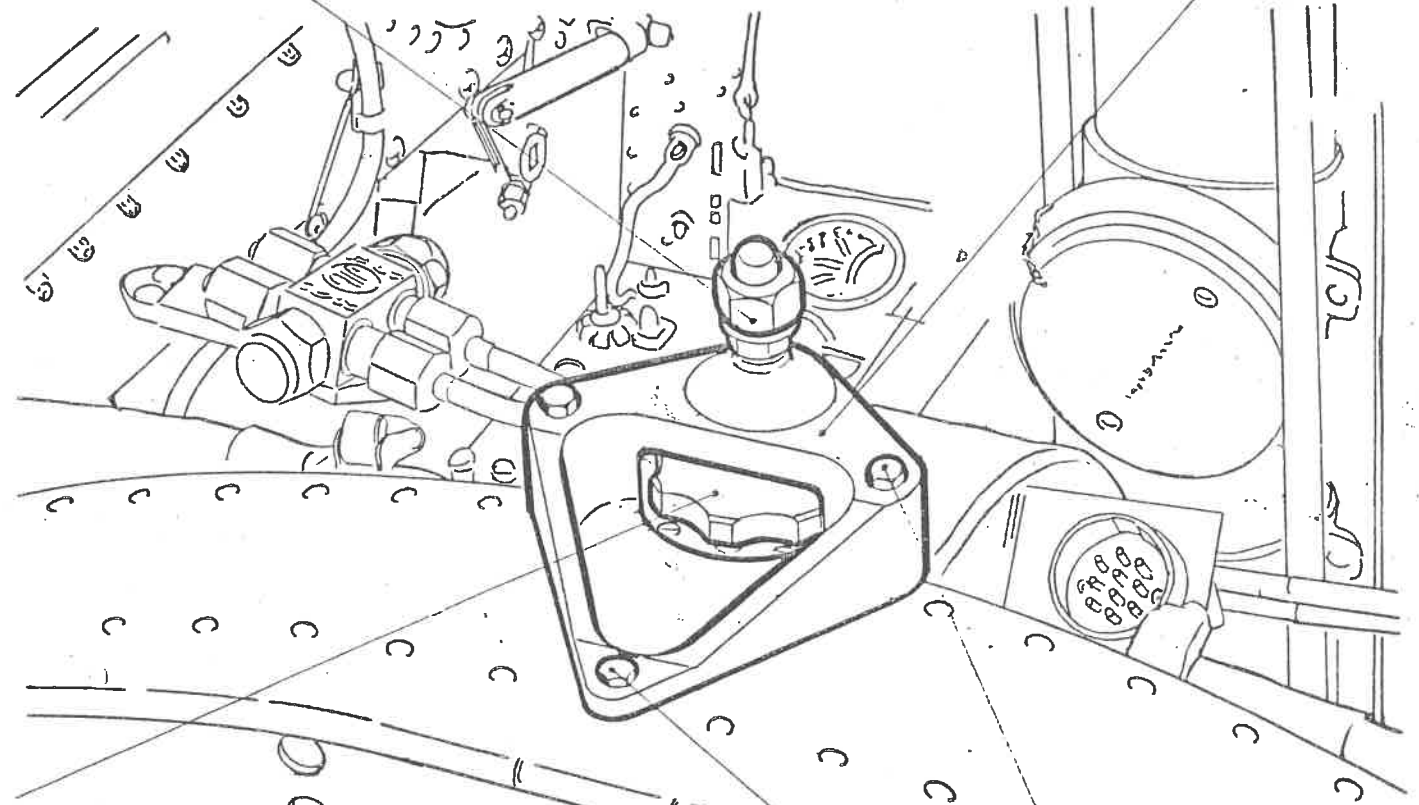
4-4BA BOLTS

4-4BA STIFFENERS

4-4BA WASHERS

FOUCA ATTACHMENT FITTING

MOUNTING BASE MBEU/27278



CONTROL KNOB MBEU/27277



METRIC BOLTS

5/32" DIA 120° c/s'k  
RIVETS 22 OFF

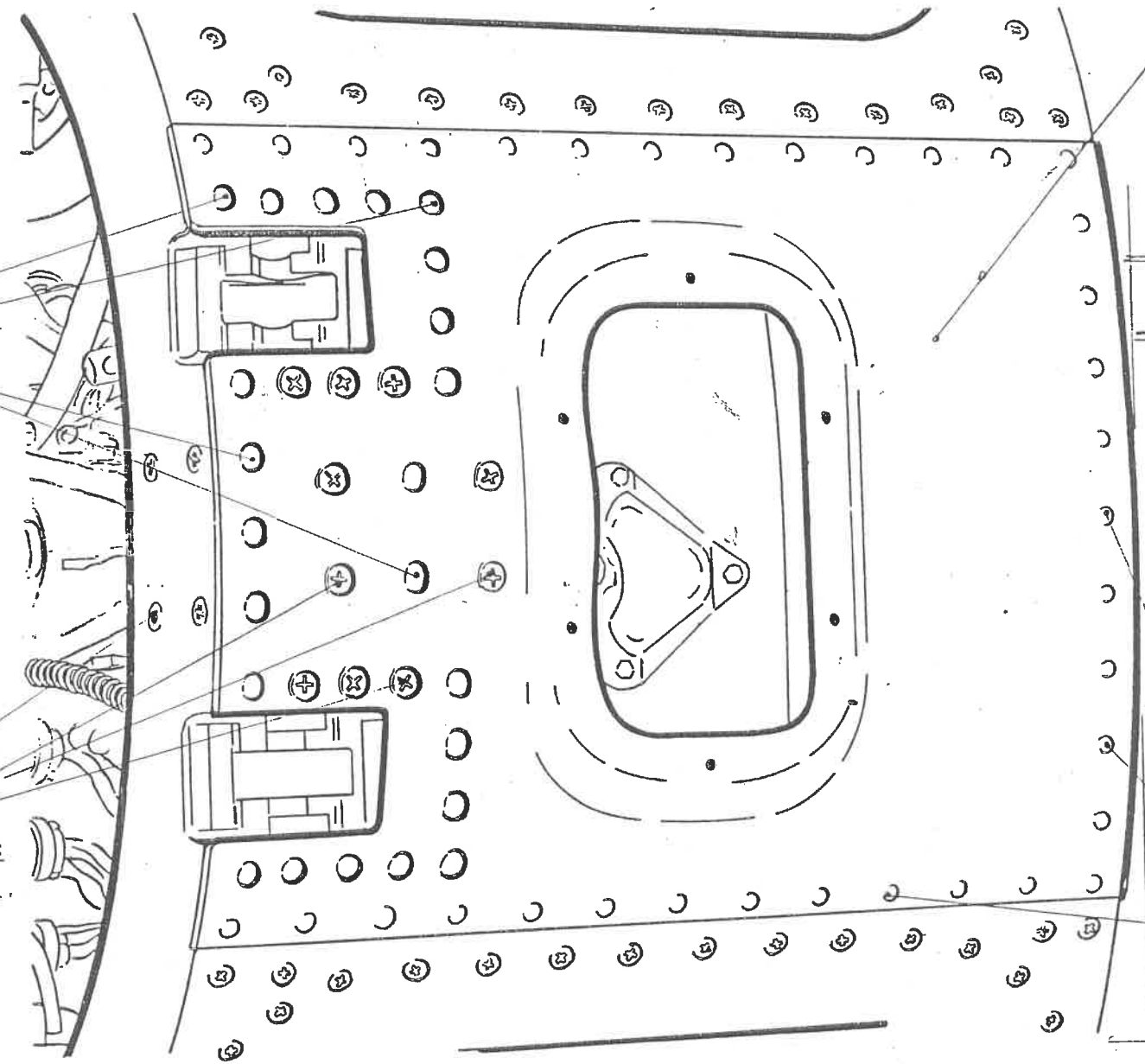
14- No 10-32 UNF C'S'K  
PHILLIPS HD BOLTS

14- No 10-32 UNF STIFFENERS

14- No 10-32 UNF WASHERS



1/8" DIA 120° c/s'k RIVET  
36 OFF



PERISCOPE MOD  
REAR COCKPIT

MOUNTING BRACKET

MSEU/27480

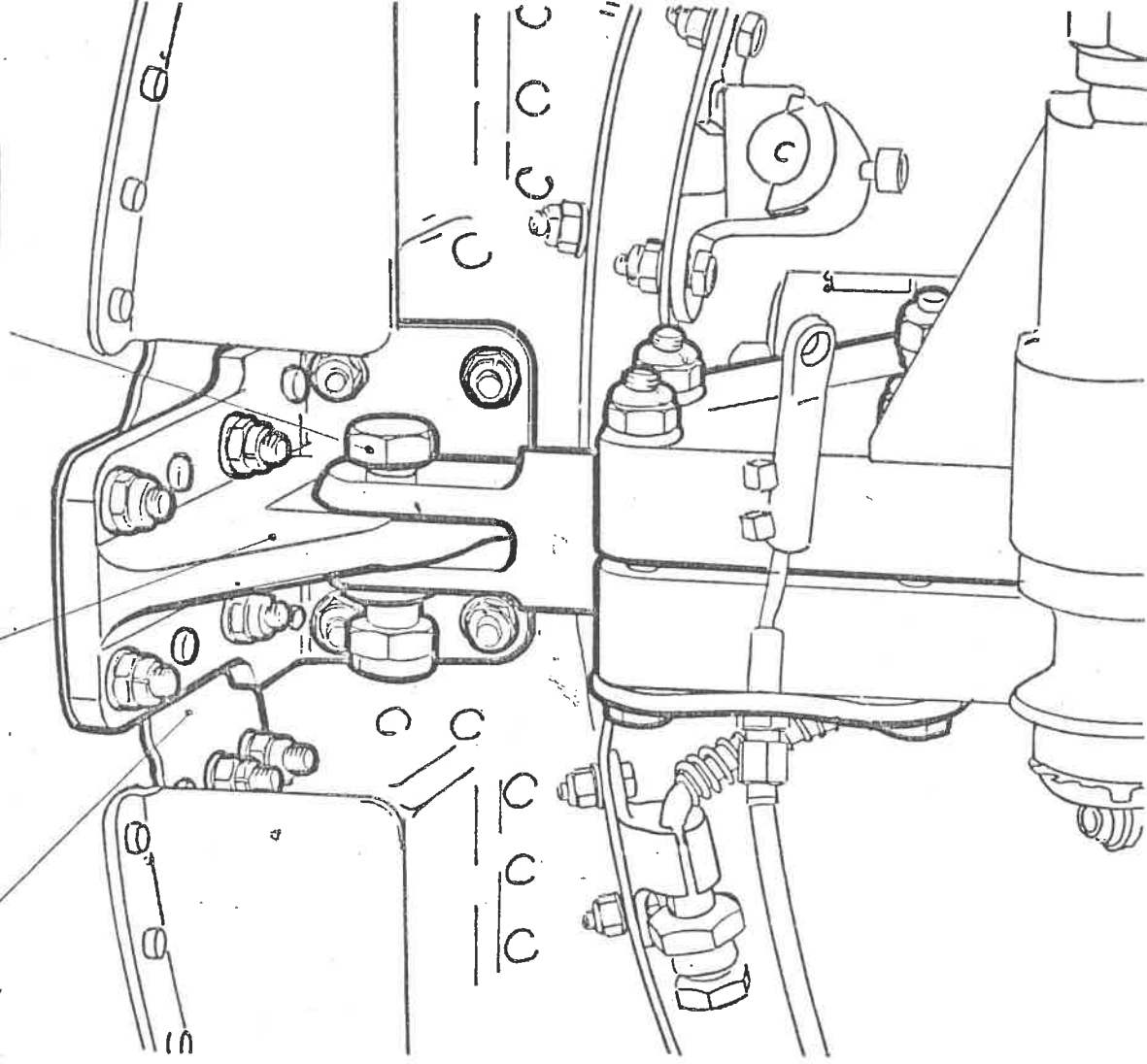
REINFORCING PLATE

MREU/27514

3/8" R.S.F BOLT

3/8" R.S.F STIFFENUT

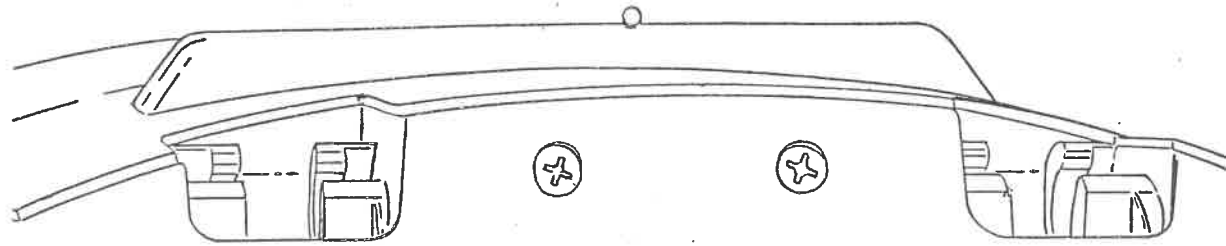
3/8" R.S.F WASHER



TOP INSTALLATION

FITTING MOUNTING

FRONT COCKPIT



MOUNTING M8EU/27917

4-2BA BOLTS

4-2BA STIFFNUTS

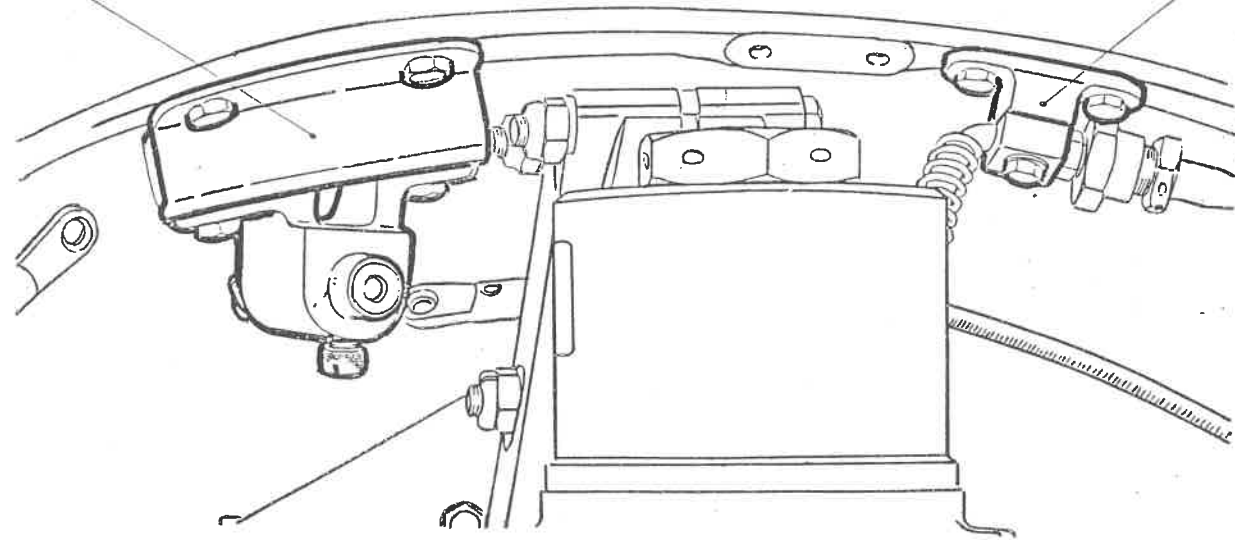
4-2BA WASHERS

MOUNTING BRACKET M8EU

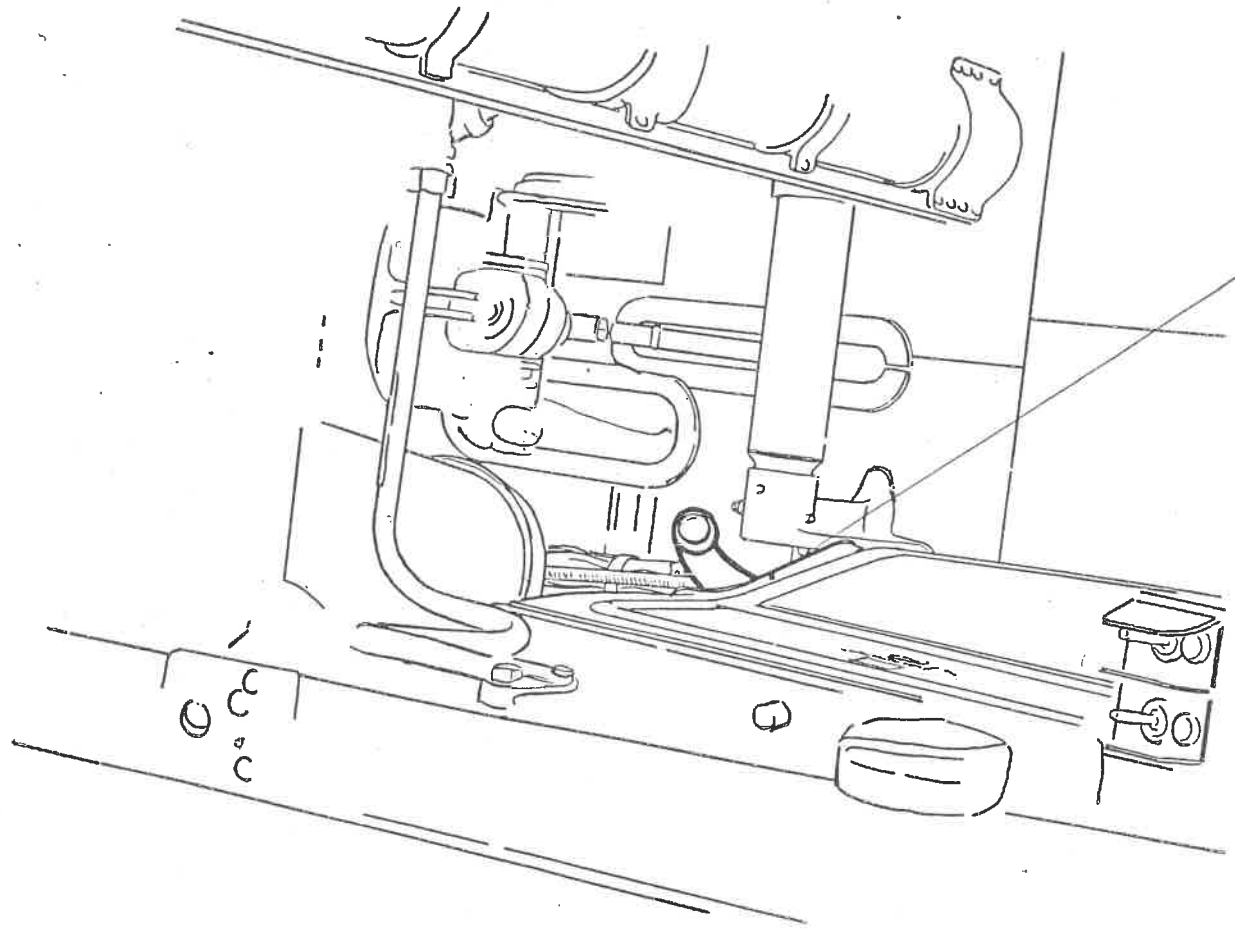
3-4BA BOLTS

2-4BA STIFFNUTS

2-4BA WASHERS

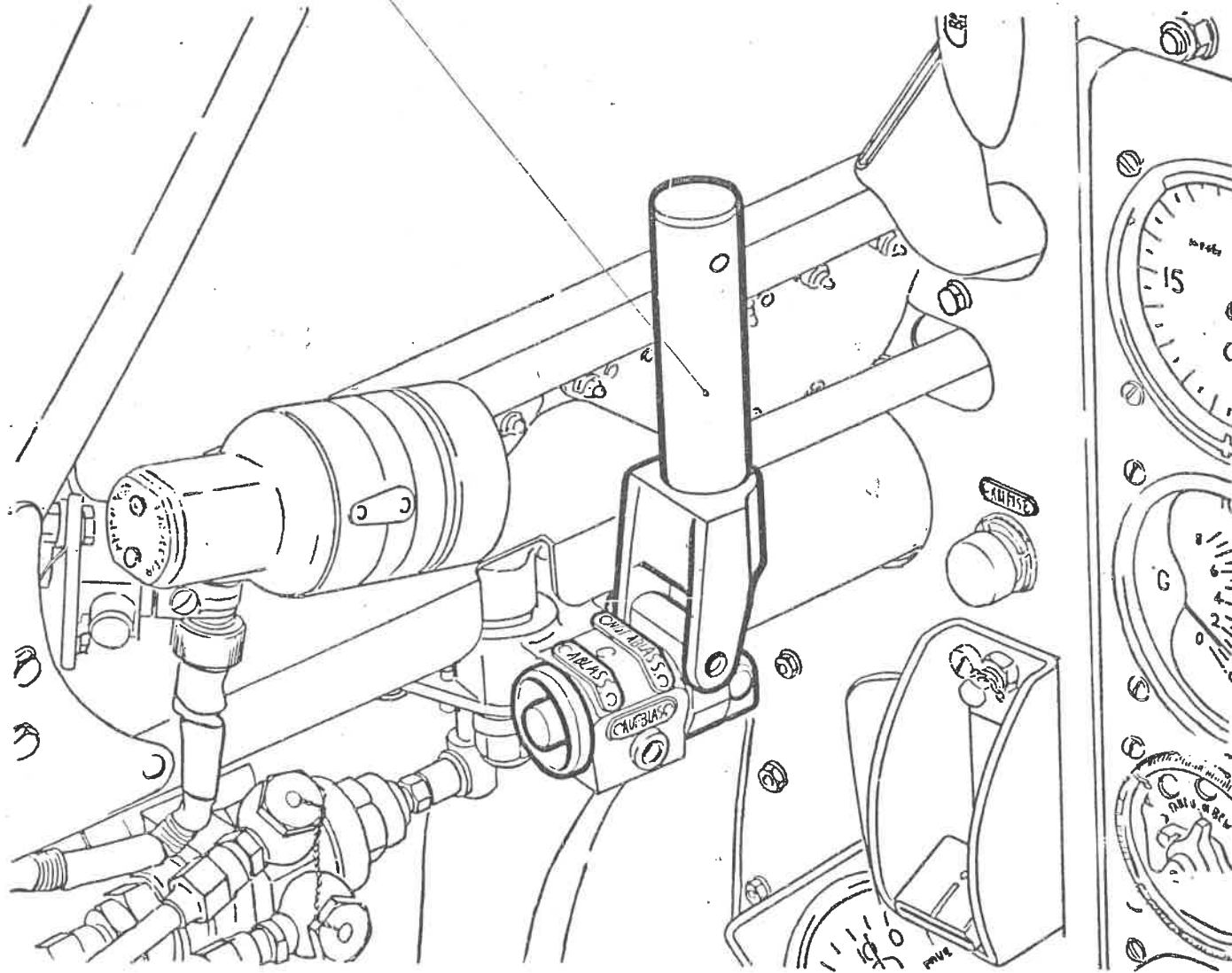




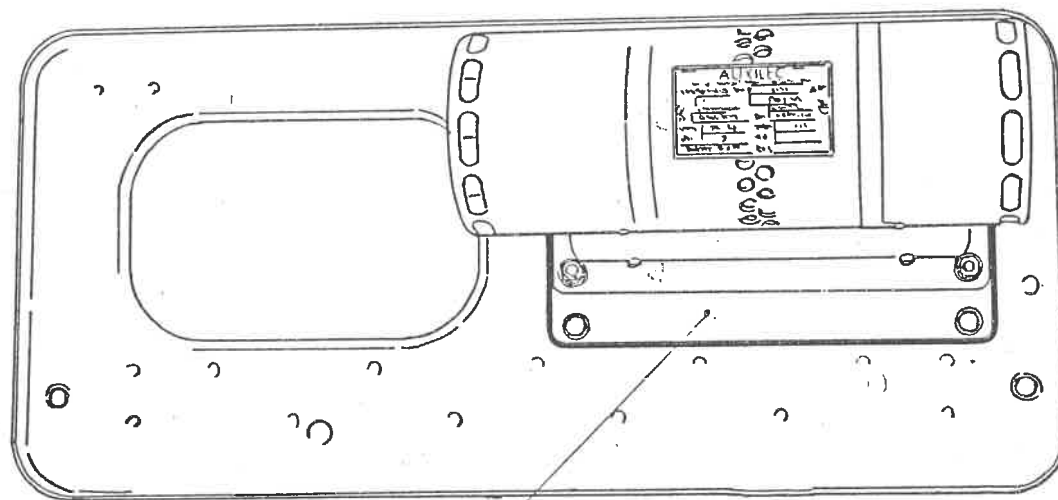


CUT AWAY PANEL TO  
CLEAR OXYGEN PIPE

ASSY OF HANDLE MBEU/28084

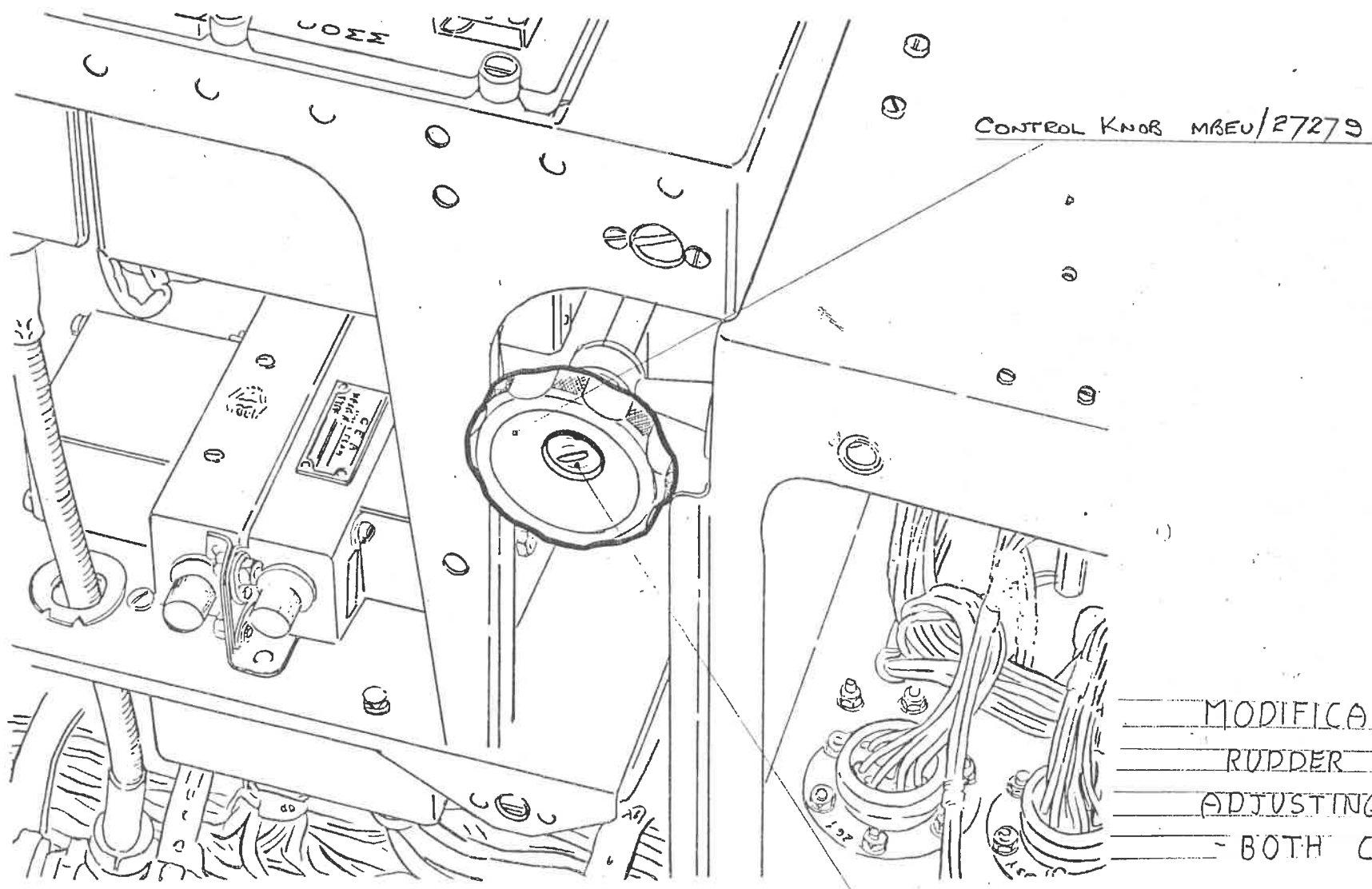


MODIFICATION I  
MANUAL CANOPY  
RELEASE HANDLE  
- BOTH COCKPITS



... MOUNTING PLATE MBEU/28541

4- EXISTING FOURA BOLTS.

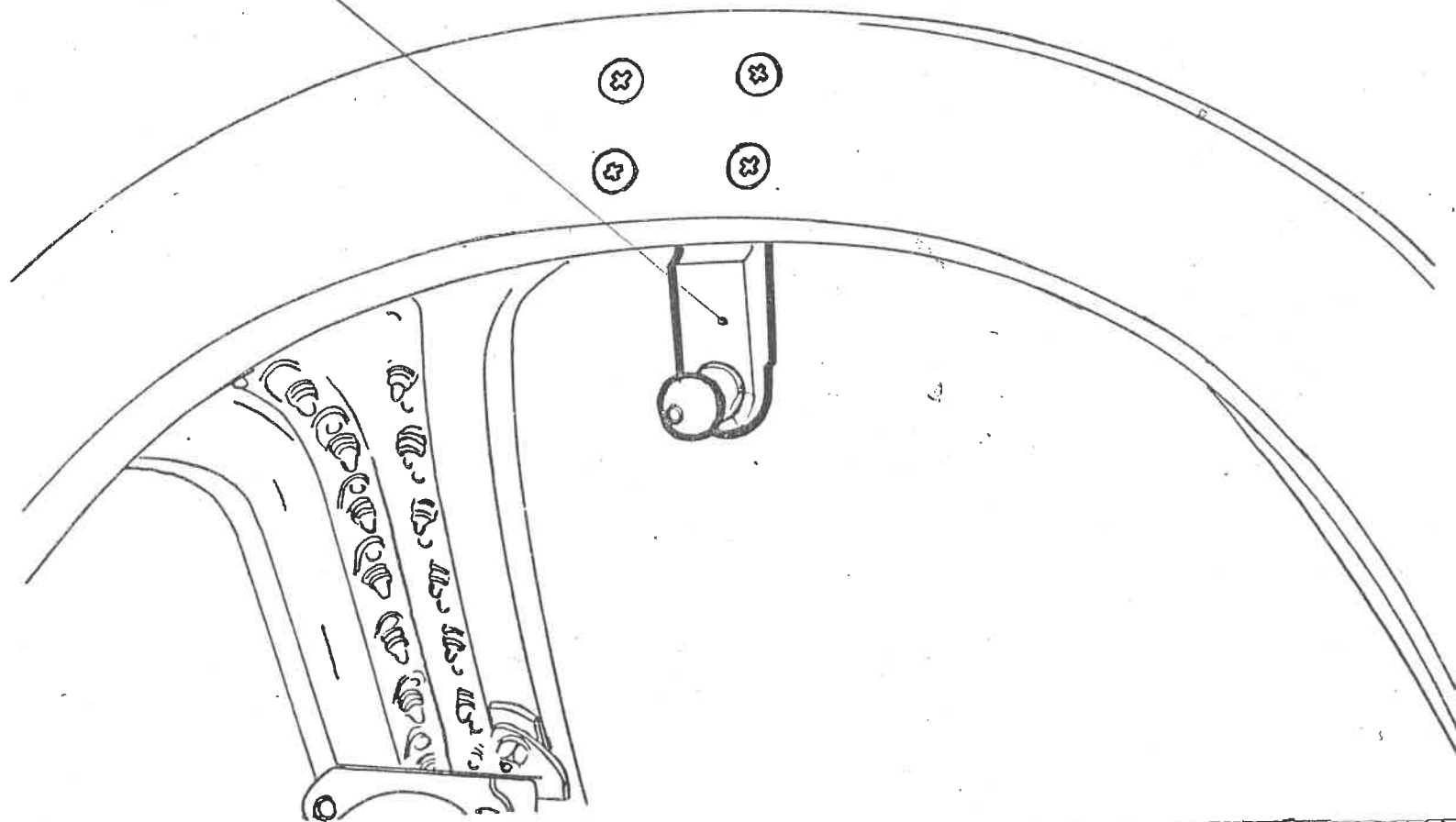


CONTROL KNOB MBEU/27279

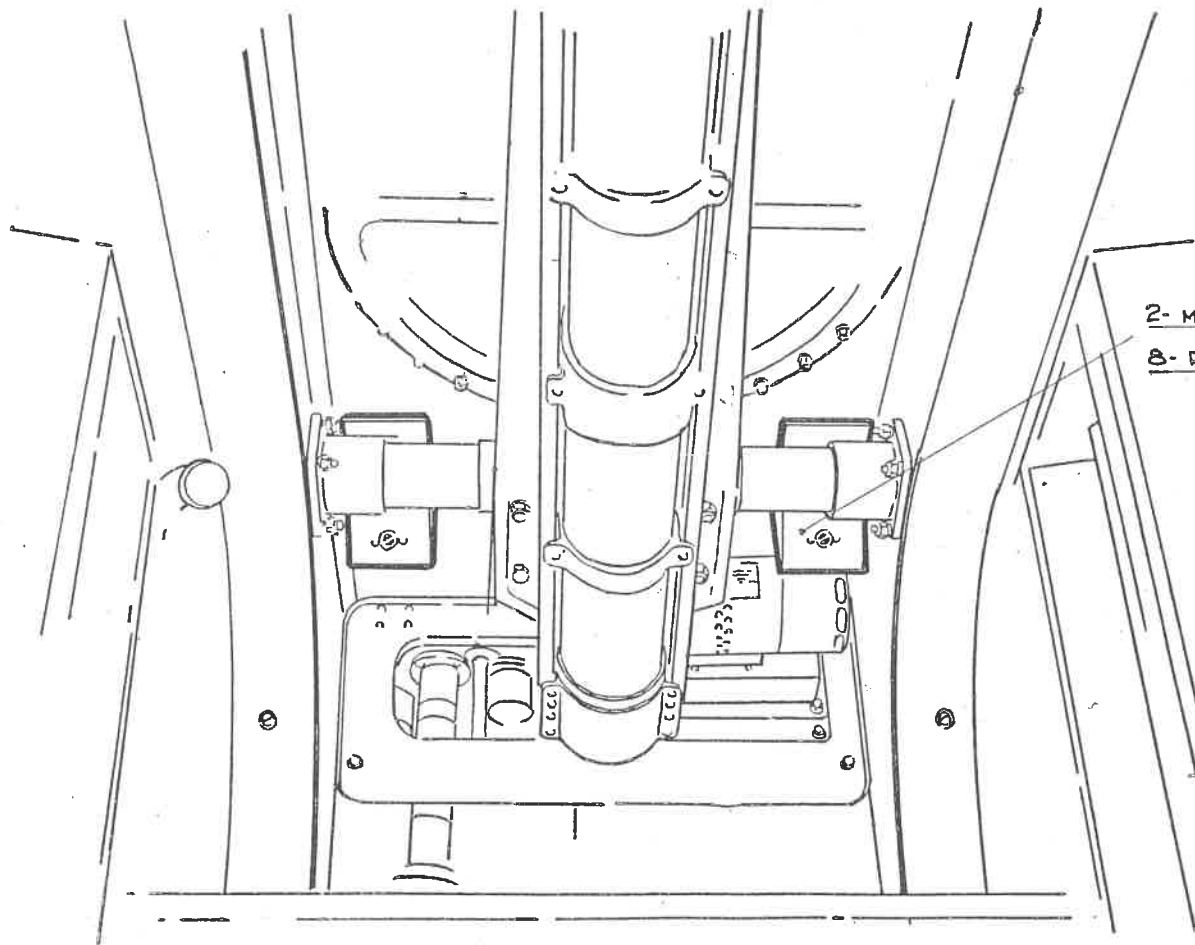
MODIFICATION  
 RUDDER PEDAL  
 ADJUSTING COIN  
 - BOTH COCKPIT

FOUCA SCREW.

ANCHOR BRACKET MBEU/28175



MODIFICATION TO CANOPY  
RETAINING ROD ANCHORAGE  
- BOTH COCKPITS

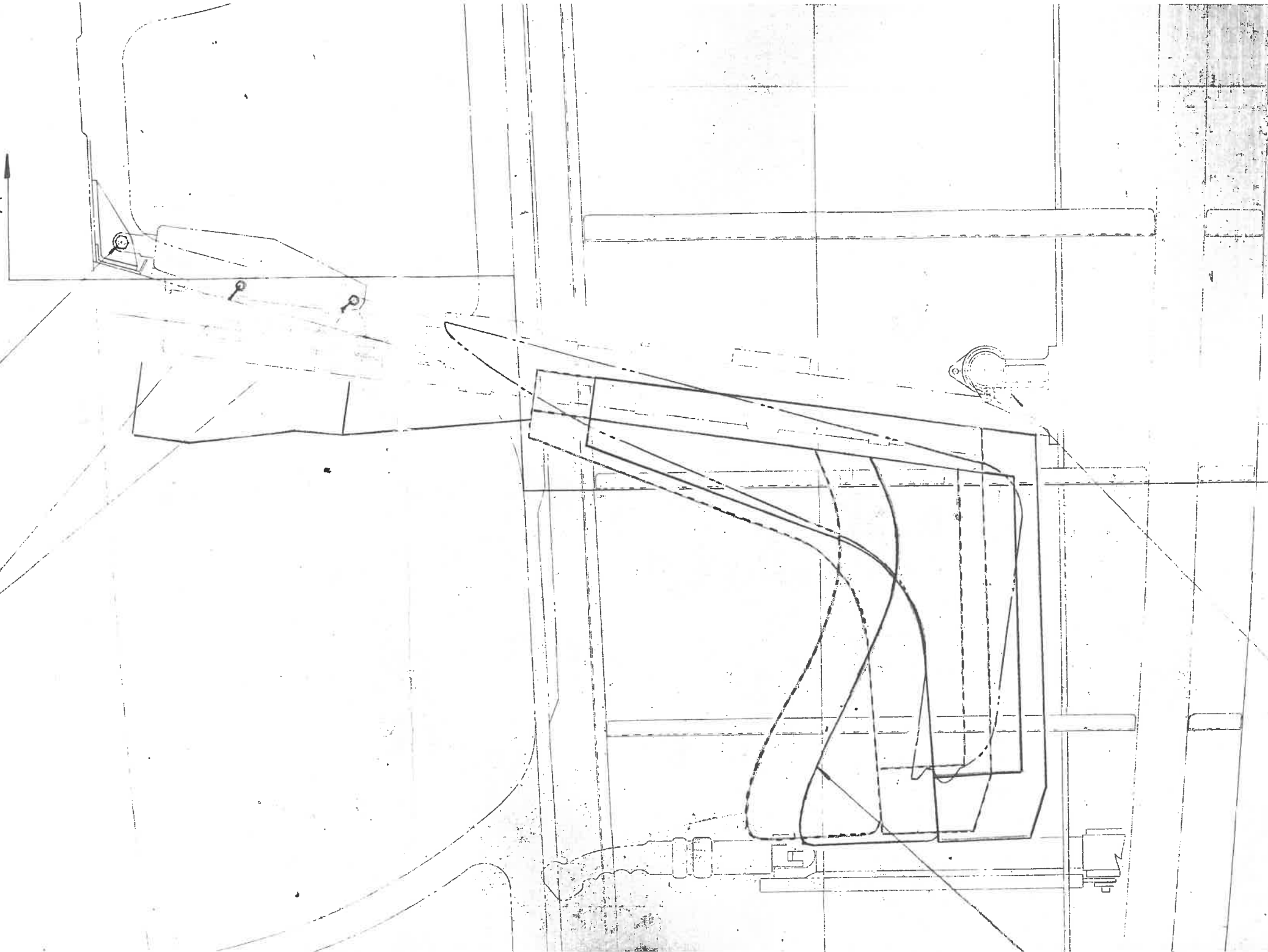


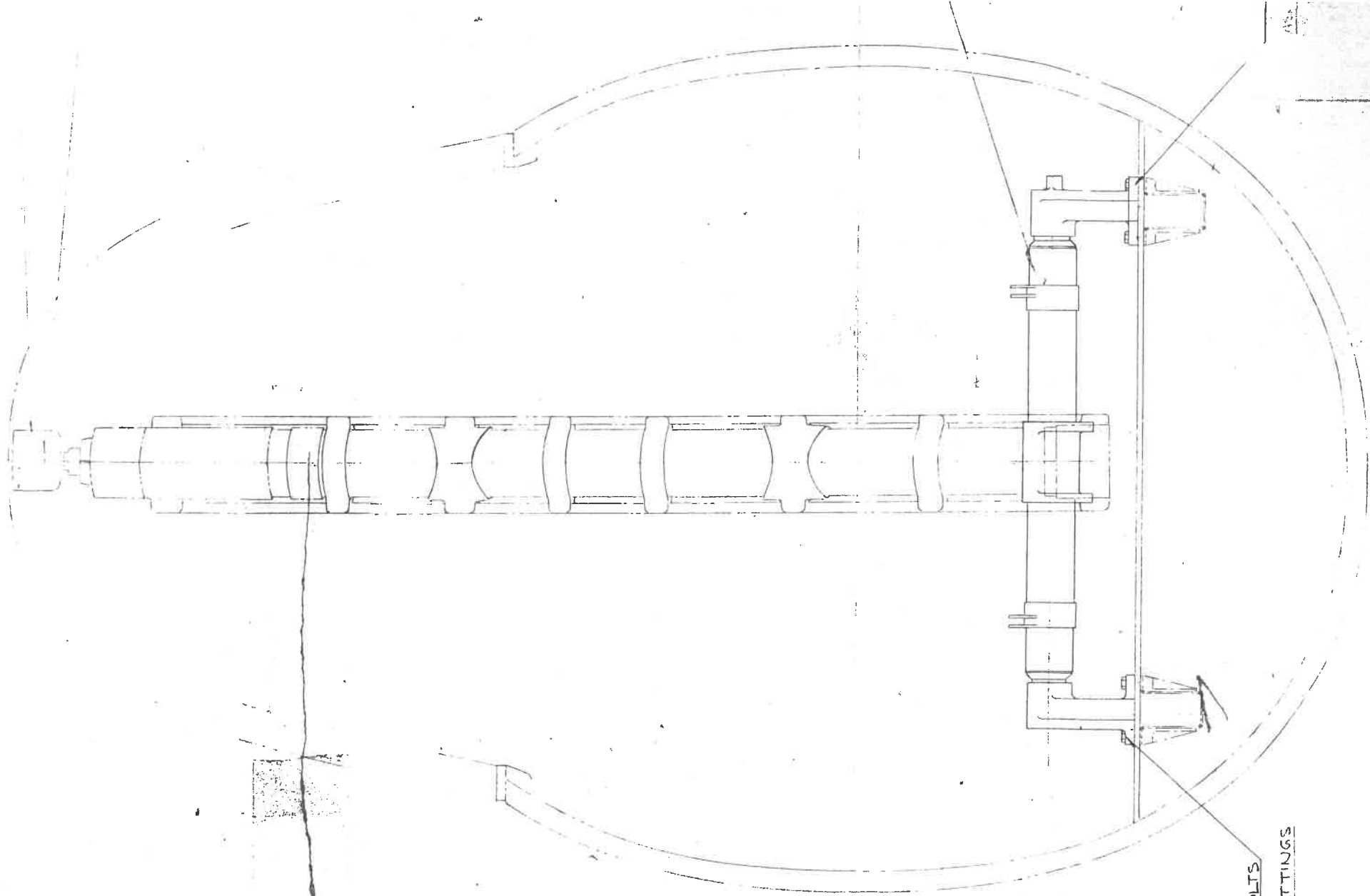
2- MOUNTING BRKT M8E0/28281

8- RIVETS SPECIAL.

(874) (511)

A





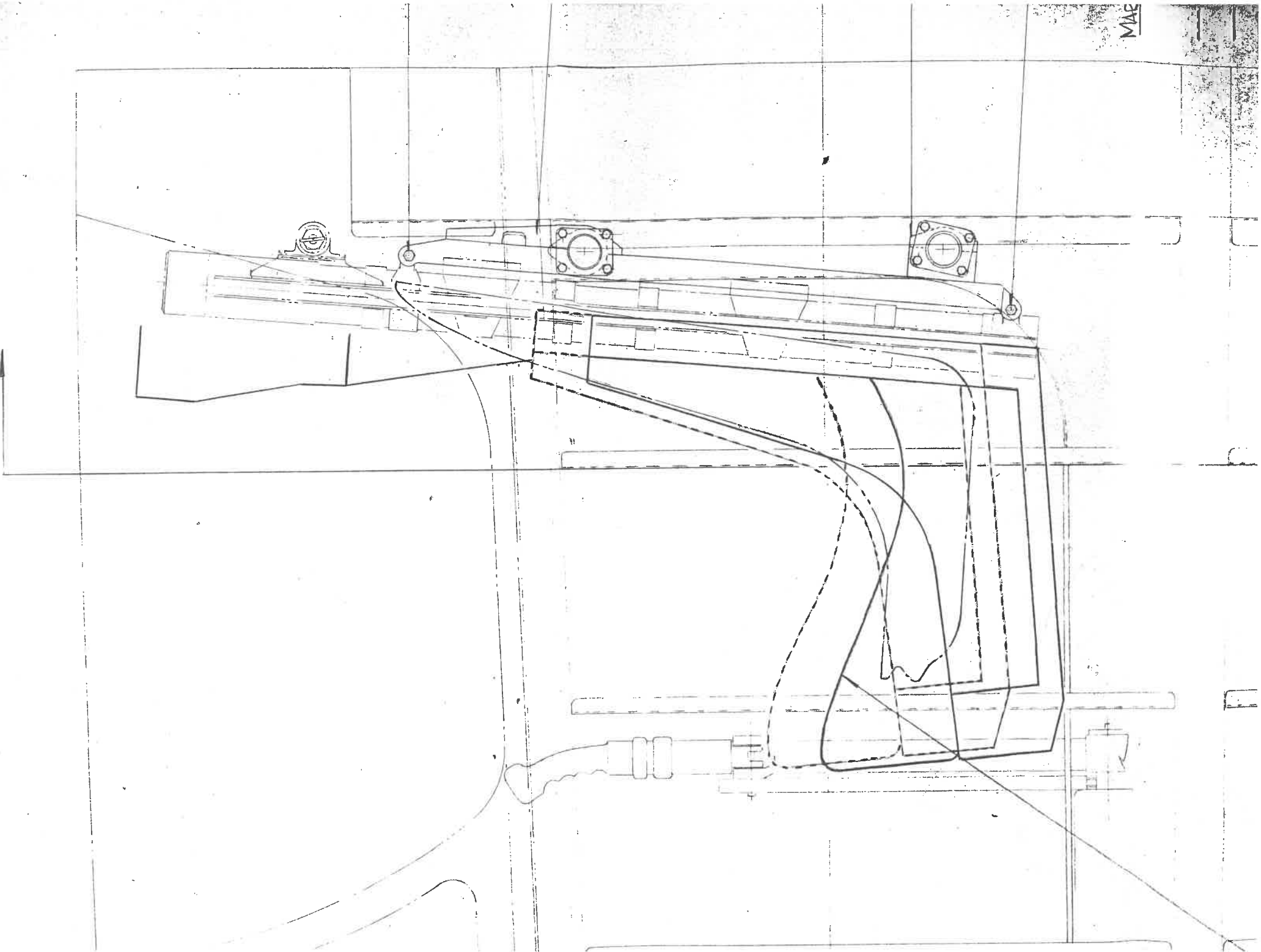
USE METRIC BOLTS  
AS FOR ORIGINAL FITTINGS

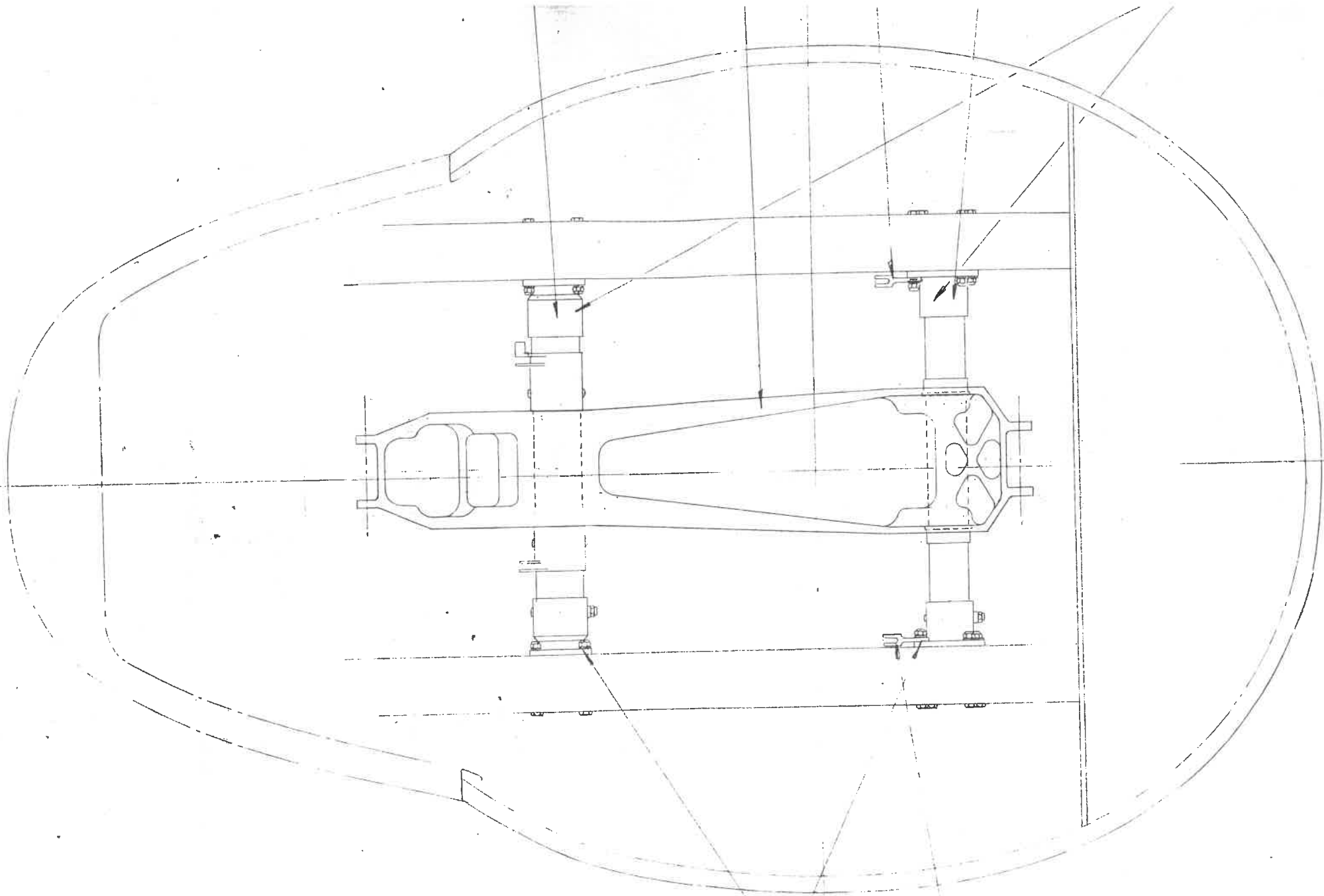
SECTION ON 'A-A'



MAP

'A'





TS AS